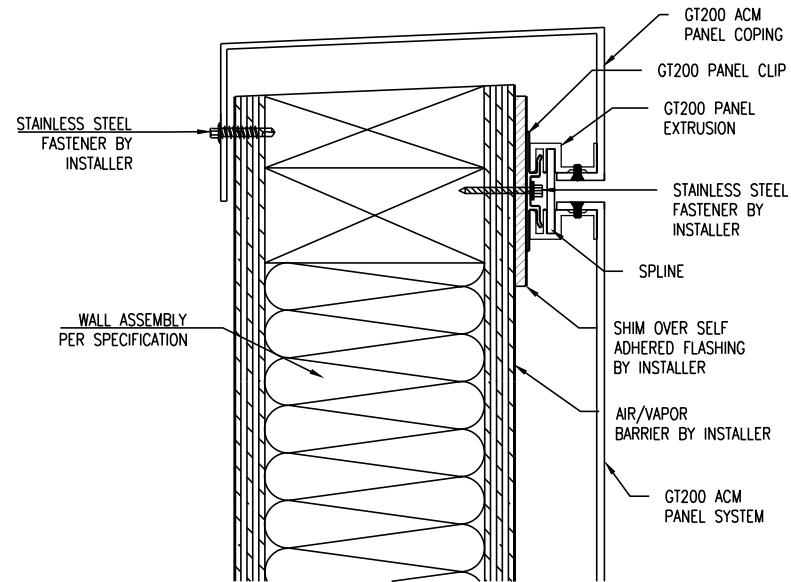
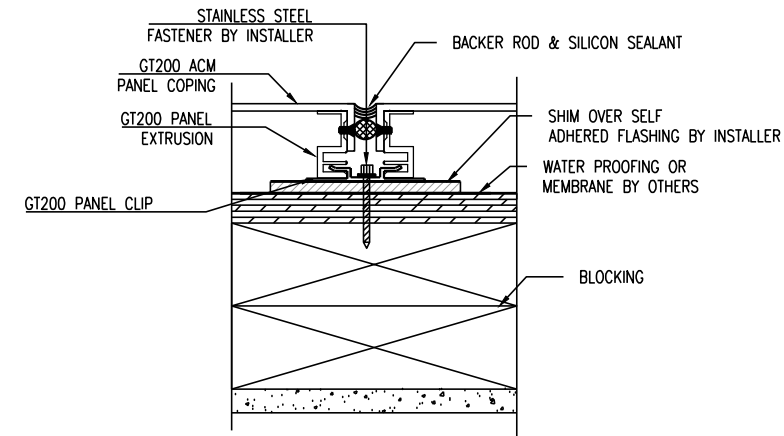


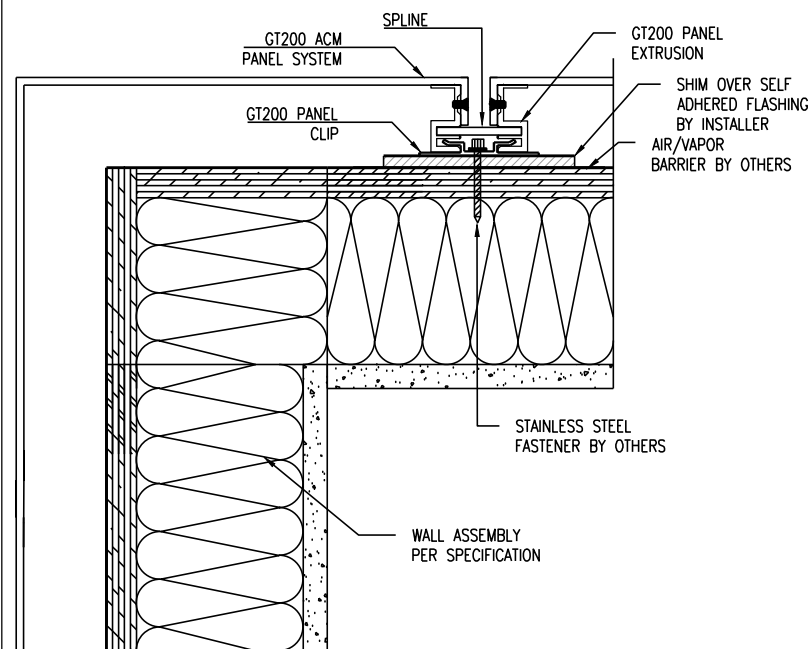
1
GT200 FOUNDATION
SCALE: NTS



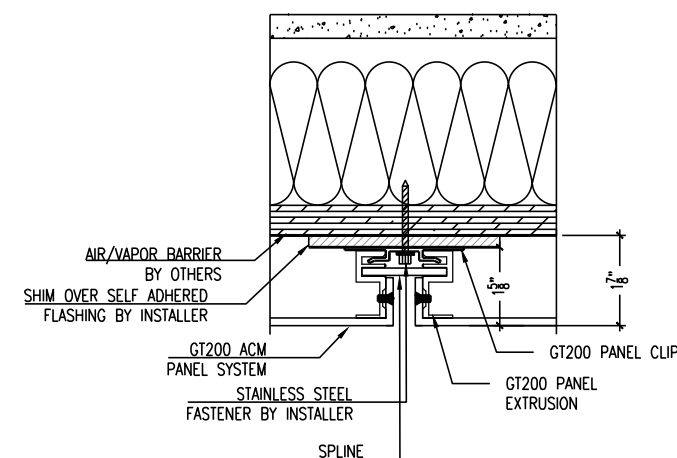
2
GT200 ACM COPING
SCALE: NTS



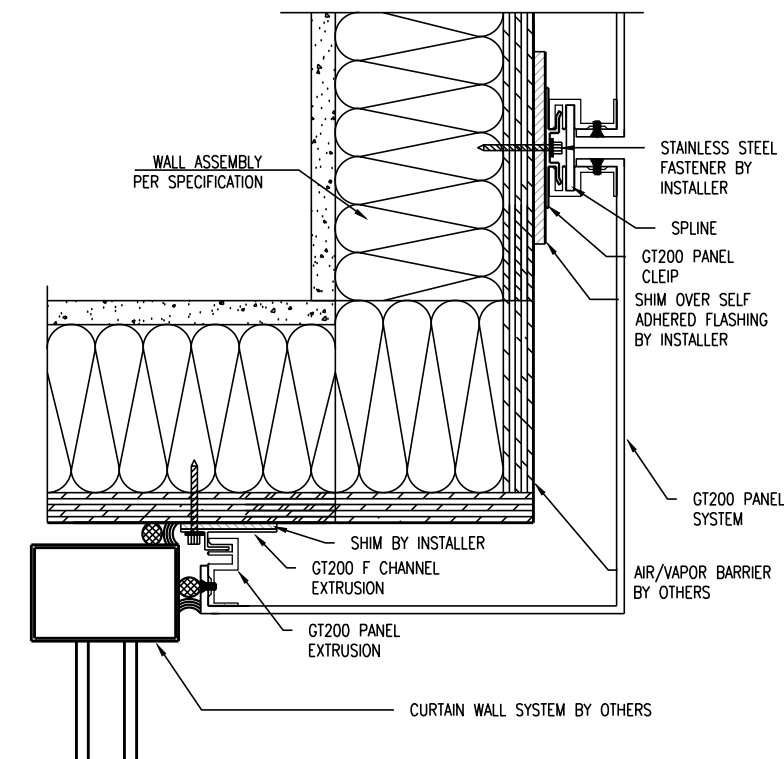
3
GT200 COPING PANEL JOINT
SCALE: NTS



4
GT200 OUTSIDE CORNER
SCALE: NTS



5
GT200 VERT. JOINT DETAIL
SCALE: NTS



6
GT200 SOFFIT DETAIL
SCALE: NTS

- NOTES:
1. CONTRACTOR TO FIELD VERIFY DIMENSIONS.
 2. THESE DRAWINGS REPRESENT CONTRACTOR'S INTERPRETATION OF THE BIDDING ARCHITECTURAL DRAWINGS & SPECIFICATIONS.
 3. CHANGES TO THE ORIGINAL ARCHITECTURAL DRAWINGS OR CHANGES TO THE ERECTION OF THE BUILDING COULD RESULT IN REQUIRED COMPENSATION FOR CHANGES.
 4. INFORMATION AND DETAILS IN THIS DRAWING ARE THE PROPERTY OF GREENTEK LLC. ANY REPRODUCTION WITHOUT PERMISSION IS PROHIBITED..

CONTRACT DATE:
 SUBMITTAL DATE:
 RETURN DATE:
 REVISION DATE:

CONTRACTOR PROJECT #:

PROJECT:
 ARCHITECT:
 GENERAL CONTRACTOR:

OWNER:
 LOCATION: