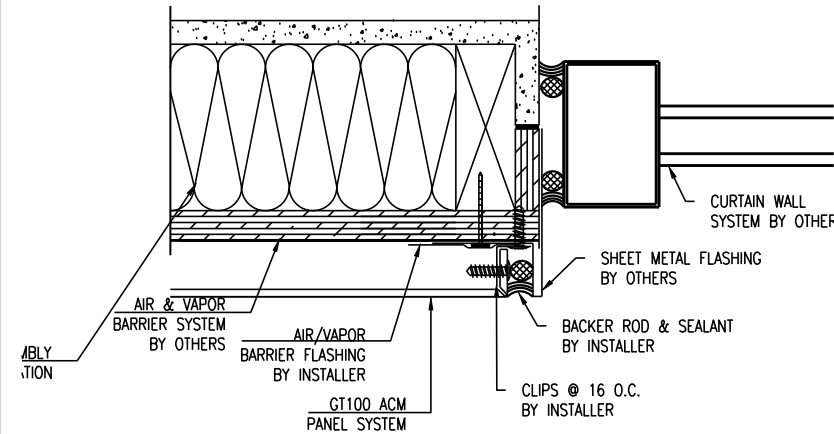
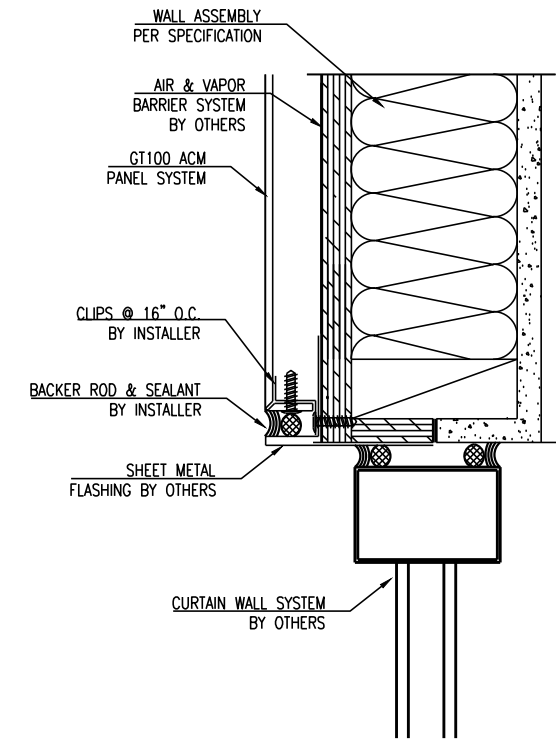


1
GT100
SILL DETAIL
SCALE: NTS



2
GT100
JAMB DETAIL
SCALE: NTS



3
GT100
HEAD DETAIL
SCALE: NTS

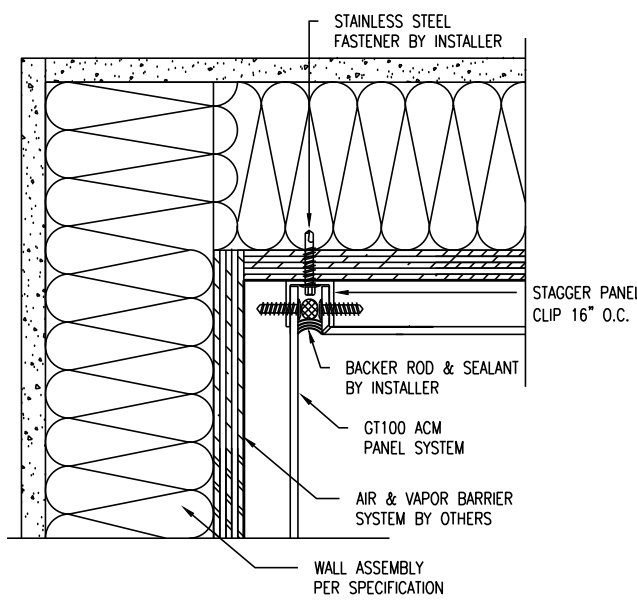
- NOTES:
1. CONTRACTOR TO FIELD VERIFY DIMENSIONS.
 2. THESE DRAWINGS REPRESENT CONTRACTOR'S INTERPRETATION OF THE BIDDING ARCHITECTURAL DRAWINGS & SPECIFICATIONS.
 3. CHANGES TO THE ORIGINAL ARCHITECTURAL DRAWINGS OR CHANGES TO THE ERECTION OF THE BUILDING COULD RESULT IN REQUIRED COMPENSATION FOR CHANGES.
 4. INFORMATION AND DETAILS IN THIS DRAWING ARE THE PROPERTY OF GREENTEK LLC. ANY REPRODUCTION WITHOUT PERMISSION IS PROHIBITED.

CONTRACT DATE:
 SUBMITTAL DATE:
 RETURN DATE:
 REVISION DATE:

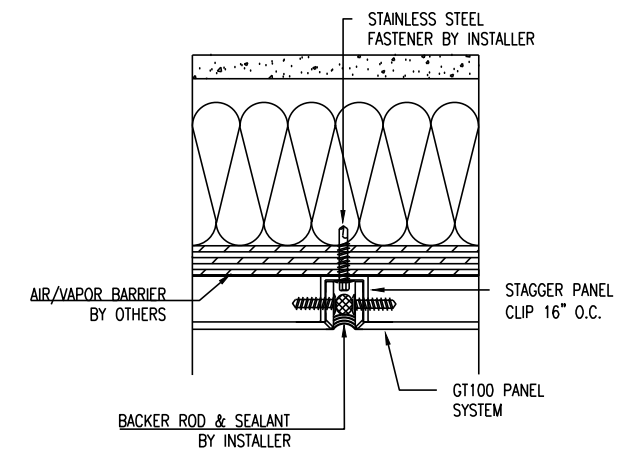
CONTRACTOR PROJECT #:

PROJECT:
 ARCHITECT:
 GENERAL CONTRACTOR:

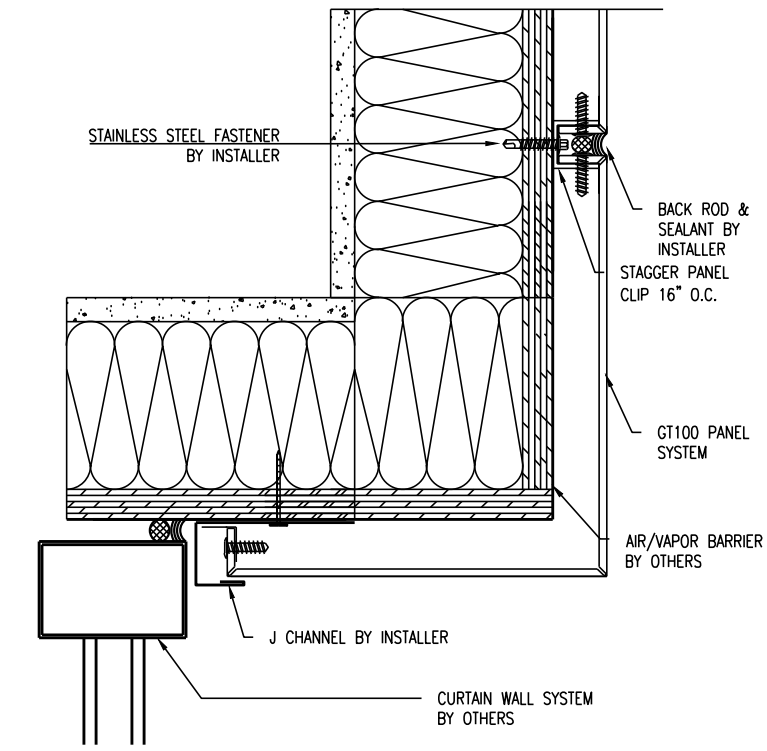
OWNER:
 LOCATION:



4
GT100
INSIDE CORNER
SCALE: NTS



5
GT100
VERT. JOINT DETAIL
SCALE: NTS



6
GT100
SOFFIT DETAIL
SCALE: NTS