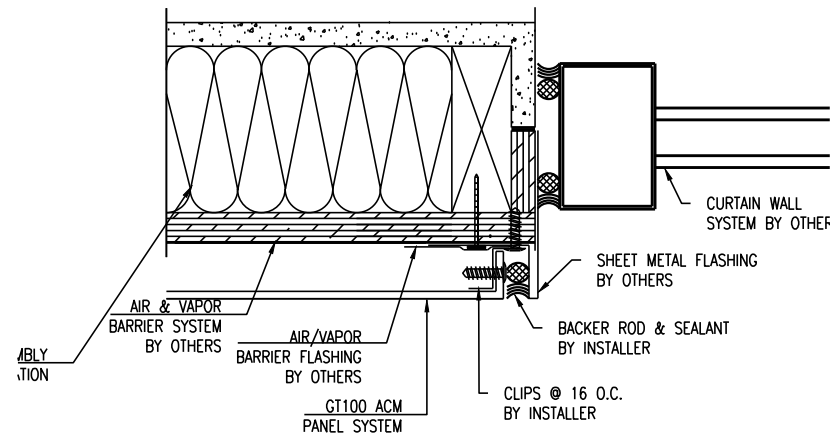
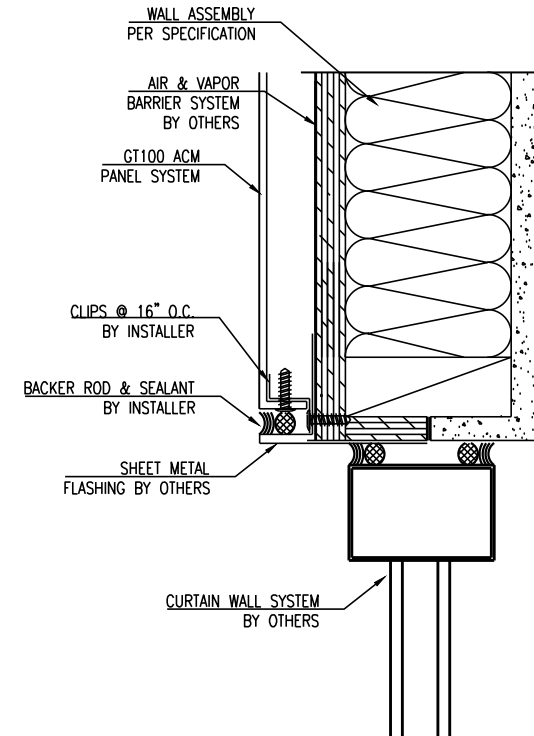


1  
GT100  
SILL DETAIL  
SCALE: NTS



2  
GT100  
JAMB DETAIL  
SCALE: NTS



3  
GT100  
HEAD DETAIL  
SCALE: NTS

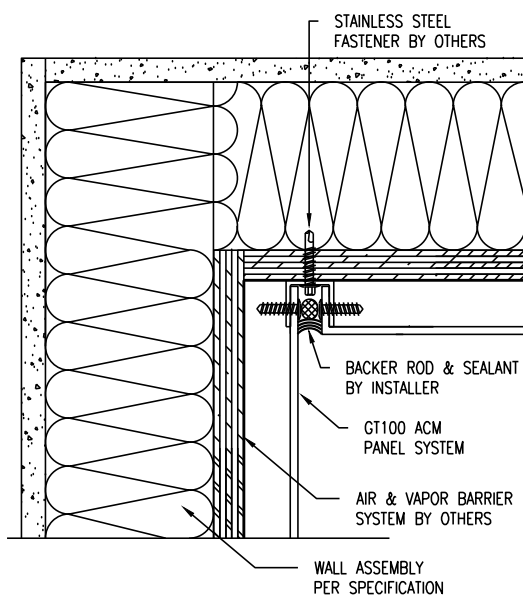
- NOTES:
1. CONTRACTOR TO FIELD VERIFY DIMENSIONS.
  2. THESE DRAWINGS REPRESENT CONTRACTOR'S INTERPRETATION OF THE BIDDING ARCHITECTURAL DRAWINGS & SPECIFICATIONS.
  3. CHANGES TO THE ORIGINAL ARCHITECTURAL DRAWINGS OR CHANGES TO THE ERECTION OF THE BUILDING COULD RESULT IN REQUIRED COMPENSATION FOR CHANGES.
  4. OIL CANNING IS NOT A CAUSE FOR REJECTION.
  - 5.

CONTRACT DATE:  
 SUBMITTAL DATE:  
 RETURN DATE:  
 REVISION DATE:

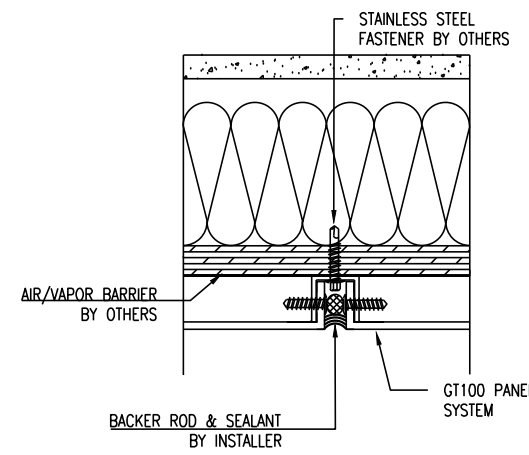
CONTRACTOR PROJECT #:

PROJECT:  
 ARCHITECT:  
 GENERAL CONTRACTOR:

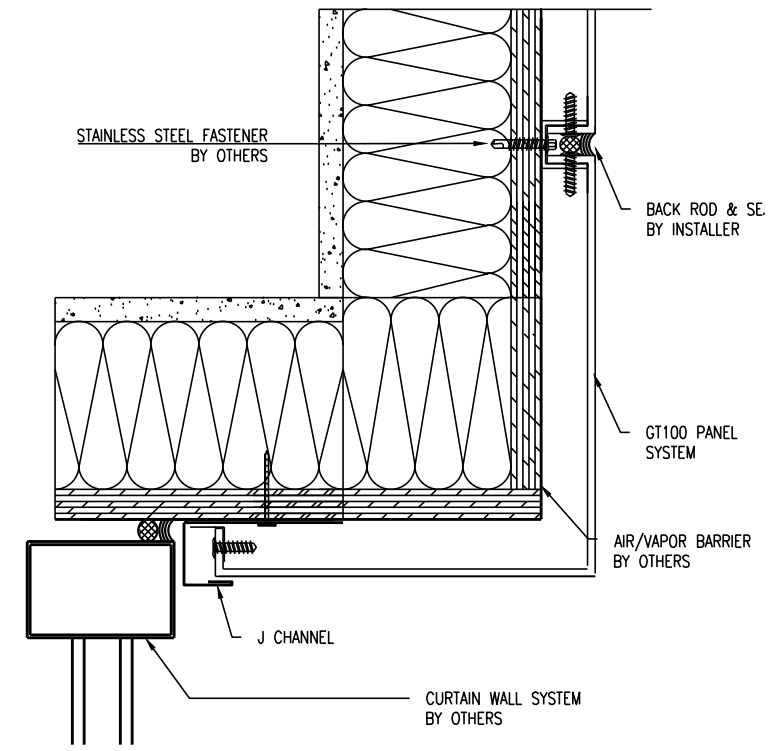
OWNER:  
 LOCATION:



4  
GT100  
INSIDE CORNER  
SCALE: NTS



5  
GT100  
VERT. JOINT DETAIL  
SCALE: NTS



6  
GT100  
SOFFIT DETAIL  
SCALE: NTS