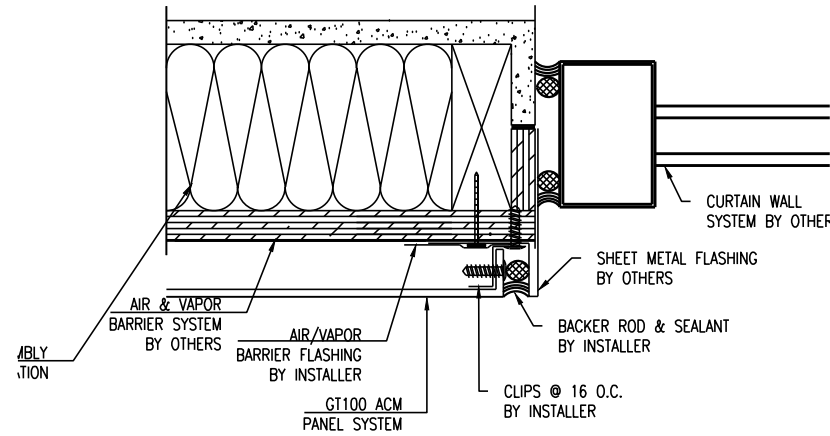
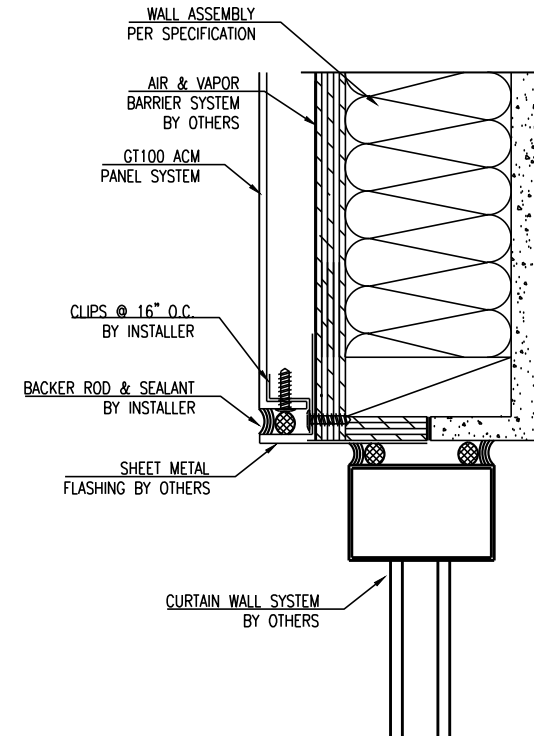


1  
GT100  
SILL DETAIL  
SCALE: NTS



2  
GT100  
JAMB DETAIL  
SCALE: NTS



3  
GT100  
HEAD DETAIL  
SCALE: NTS

- NOTES:
1. CONTRACTOR TO FIELD VERIFY DIMENSIONS.
  2. THESE DRAWINGS REPRESENT CONTRACTOR'S INTERPRETATION OF THE BIDDING ARCHITECTURAL DRAWINGS & SPECIFICATIONS.
  3. CHANGES TO THE ORIGINAL ARCHITECTURAL DRAWINGS OR CHANGES TO THE ERECTION OF THE BUILDING COULD RESULT IN REQUIRED COMPENSATION FOR CHANGES.
  4. INFORMATION AND DETAILS IN THIS DRAWING ARE THE PROPERTY OF GREENTEK LLC. ANY REPRODUCTION WITHOUT PERMISSION IS PROHIBITED.

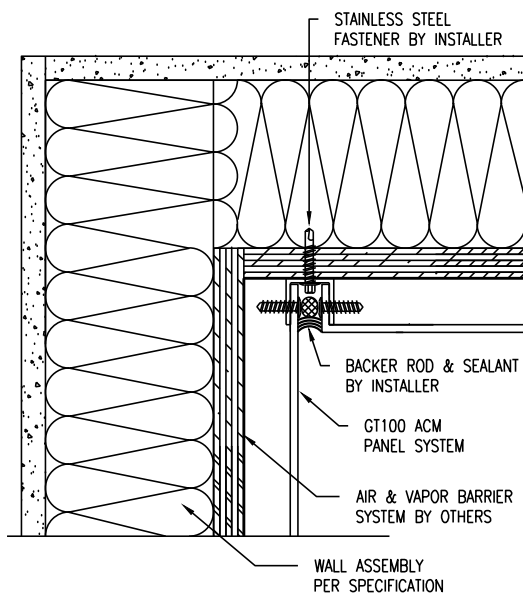
CONTRACT DATE:  
 SUBMITTAL DATE:  
 RETURN DATE:  
 REVISION DATE:

CONTRACTOR PROJECT #:

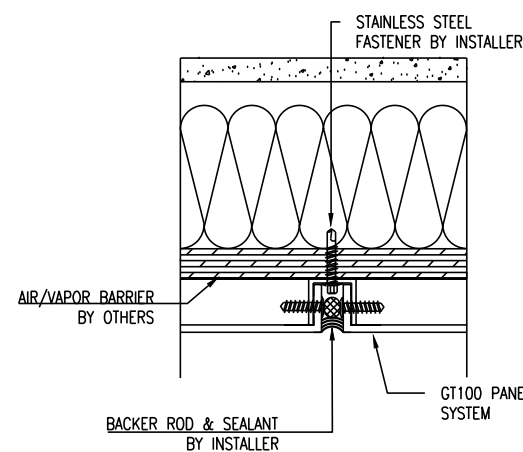
PROJECT:  
 ARCHITECT:  
 GENERAL CONTRACTOR:

OWNER:  
 LOCATION:

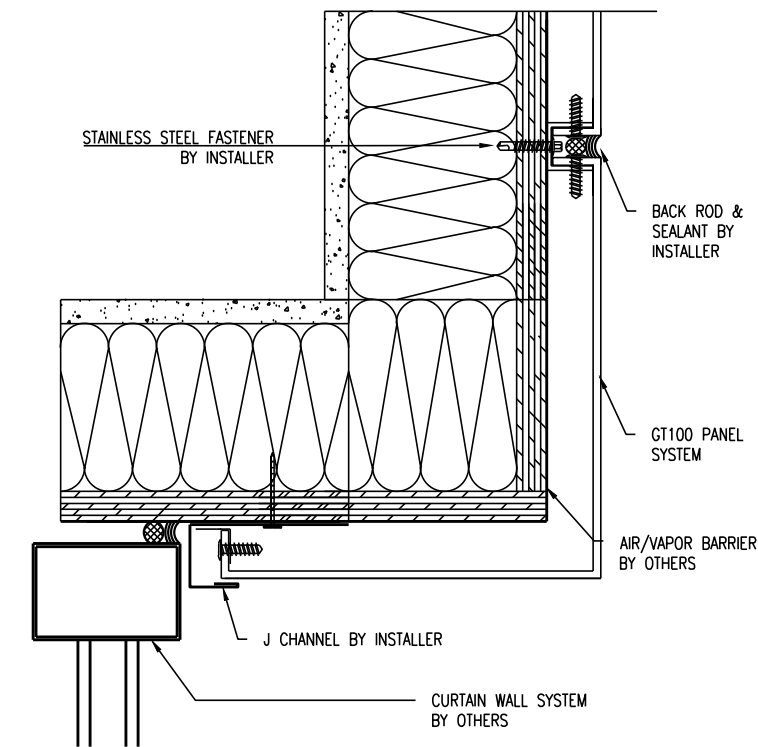
WET SYSTEM DETAILS  
 GT100



4  
GT100  
INSIDE CORNER  
SCALE: NTS



5  
GT100  
VERT. JOINT DETAIL  
SCALE: NTS



6  
GT100  
SOFFIT DETAIL  
SCALE: NTS