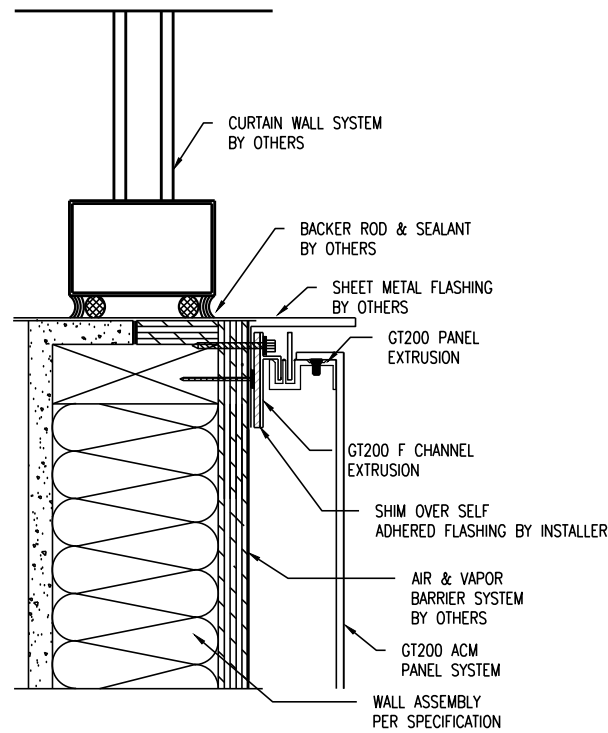


- NOTES:
1. CONTRACTOR TO FIELD VERIFY DIMENSIONS.
 2. THESE DRAWINGS REPRESENT CONTRACTOR'S INTERPRETATION OF THE BIDDING ARCHITECTURAL DRAWINGS & SPECIFICATIONS.
 3. CHANGES TO THE ORIGINAL ARCHITECTURAL DRAWINGS OR CHANGES TO THE ERECTION OF THE BUILDING COULD RESULT IN REQUIRED COMPENSATION FOR CHANGES.
 4. INFORMATION AND DETAILS IN THIS DRAWING ARE THE PROPERTY OF GREENTEK LLC. ANY REPRODUCTION WITHOUT PERMISSION IS PROHIBITED.

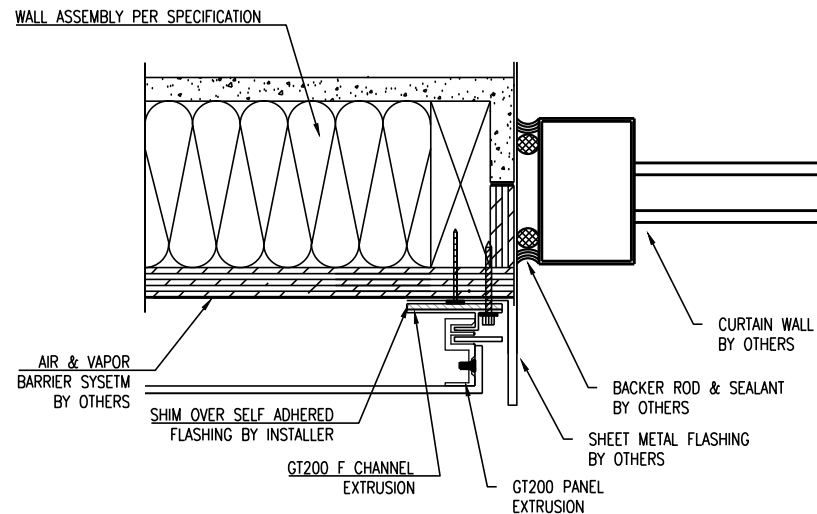
CONTRACT DATE:
 SUBMITTAL DATE:
 RETURN DATE:
 REVISION DATE:

CONTRACTOR PROJECT #:

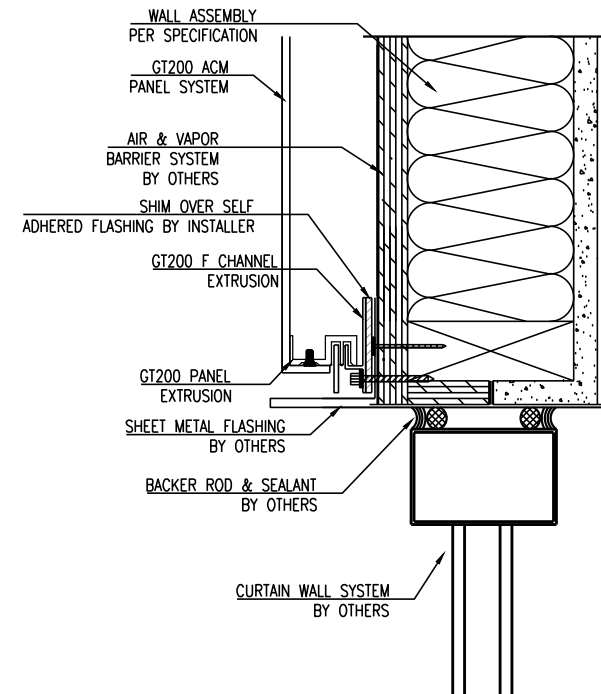
PROJECT:
 ARCHITECT:
 GENERAL CONTRACTOR:
 OWNER:
 LOCATION:



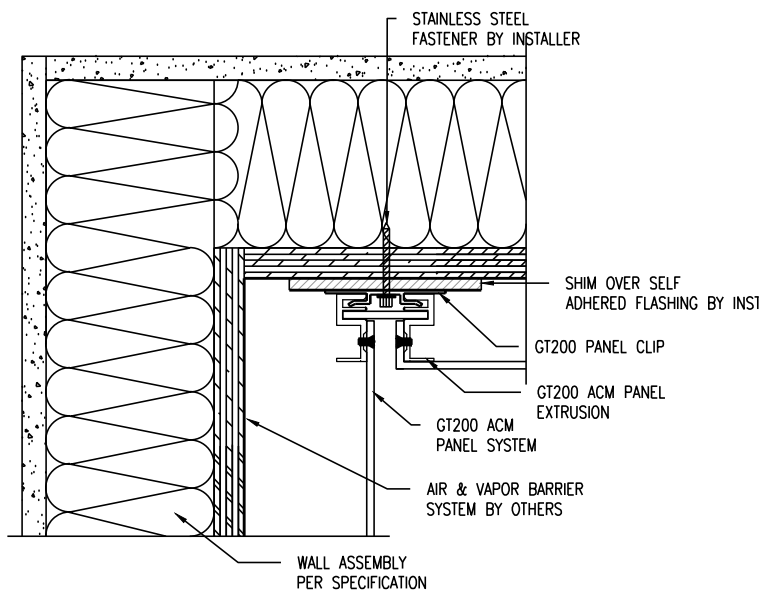
1
 GT201
 SILL DETAIL
 SCALE: NTS



2
 GT201
 JAMB DETAIL
 SCALE: NTS



3
 GT201
 HEAD DETAIL
 SCALE: NTS



4
 GT201
 INSIDE CORNER DETAIL
 SCALE: NTS

5
 GT201

6
 GT201