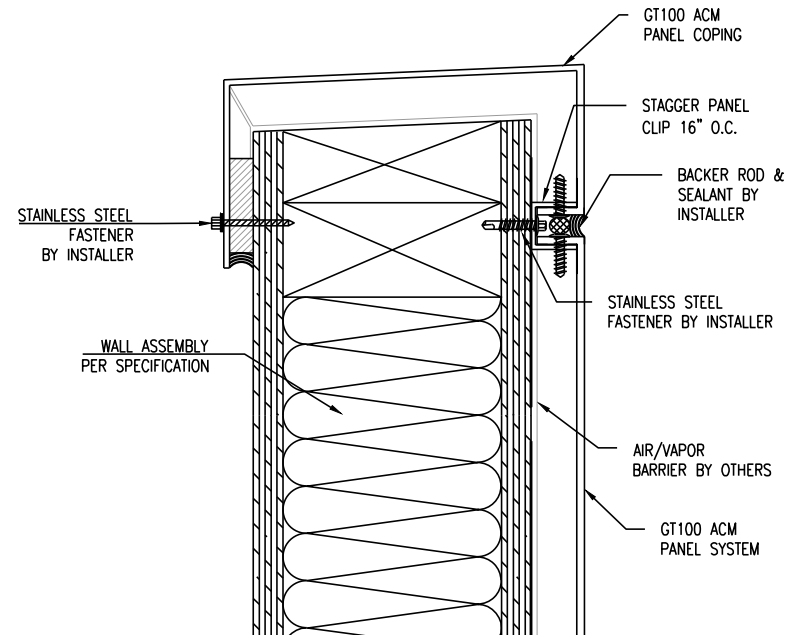
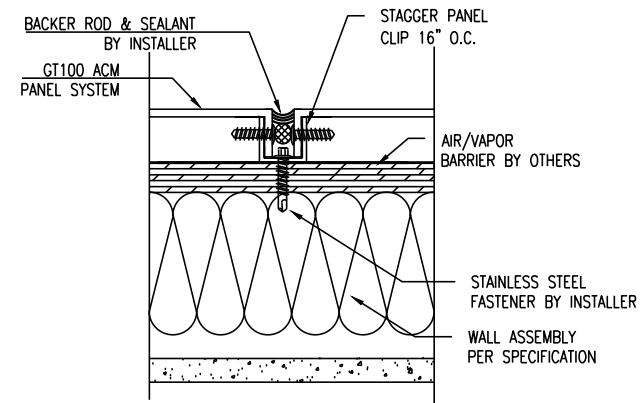


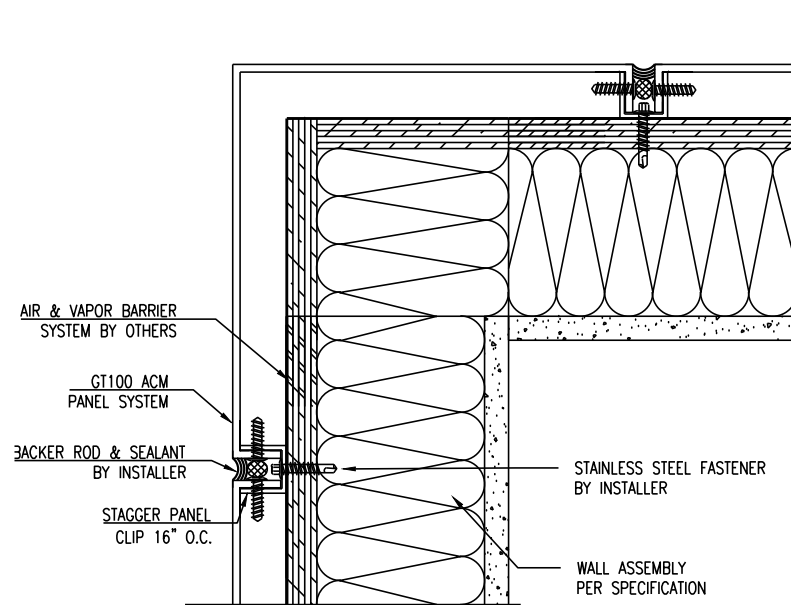
1 FOUNDATION DETAIL
 GT101 SCALE: NTS



2 ACM COPING DETAIL
 GT101 SCALE: NTS



3 COPING PANEL JOINT
 GT101 SCALE: NTS



4 OUTSIDE CORNER
 GT101 SCALE: NTS

5
 GT101

6
 GT101

- NOTES:
1. CONTRACTOR TO FIELD VERIFY DIMENSIONS.
 2. THESE DRAWINGS REPRESENT CONTRACTOR'S INTERPRETATION OF THE BIDDING ARCHITECTURAL DRAWINGS & SPECIFICATIONS.
 3. CHANGES TO THE ORIGINAL ARCHITECTURAL DRAWINGS OR CHANGES TO THE ERECTION OF THE BUILDING COULD RESULT IN REQUIRED COMPENSATION FOR CHANGES.
 4. INFORMATION AND DETAILS IN THIS DRAWING ARE THE PROPERTY OF GREENTEK LLC. ANY REPRODUCTION WITHOUT PERMISSION IS PROHIBITED.

CONTRACT DATE:
 SUBMITTAL DATE:
 RETURN DATE:
 REVISION DATE:

CONTRACTOR PROJECT #:

PROJECT:
 ARCHITECT:
 GENERAL CONTRACTOR:

OWNER:
 LOCATION: